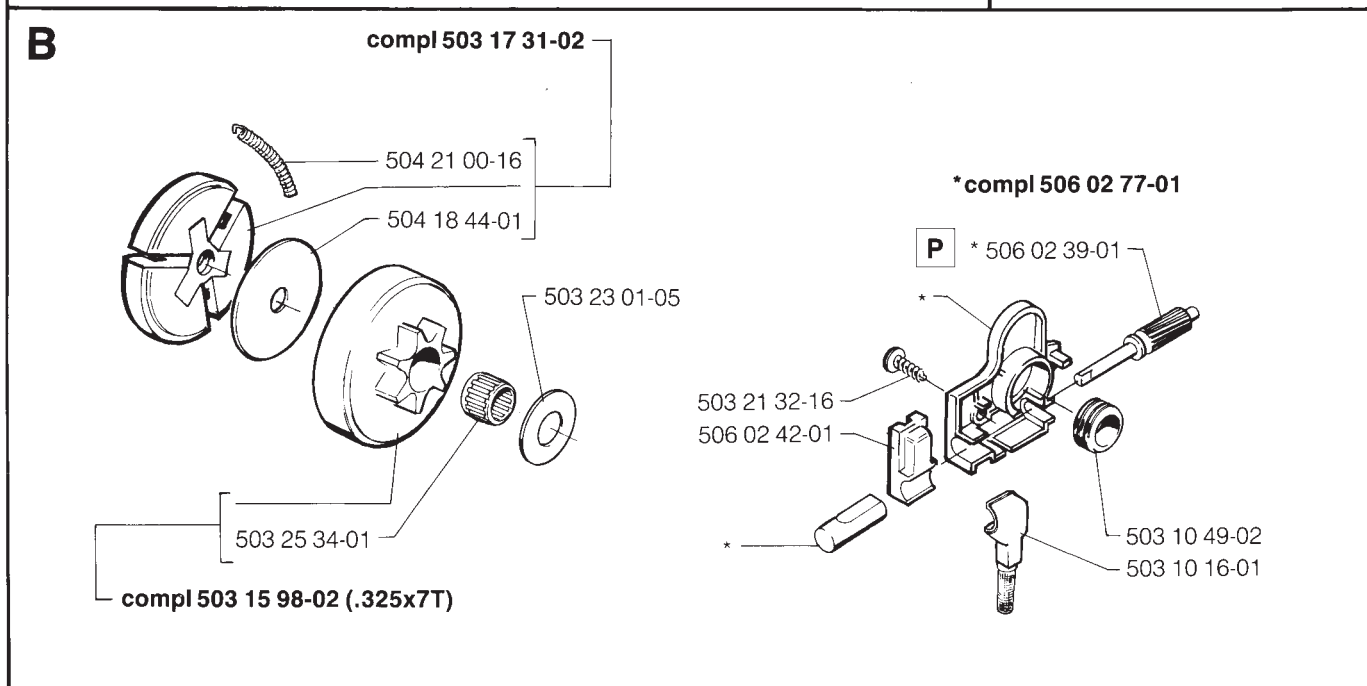
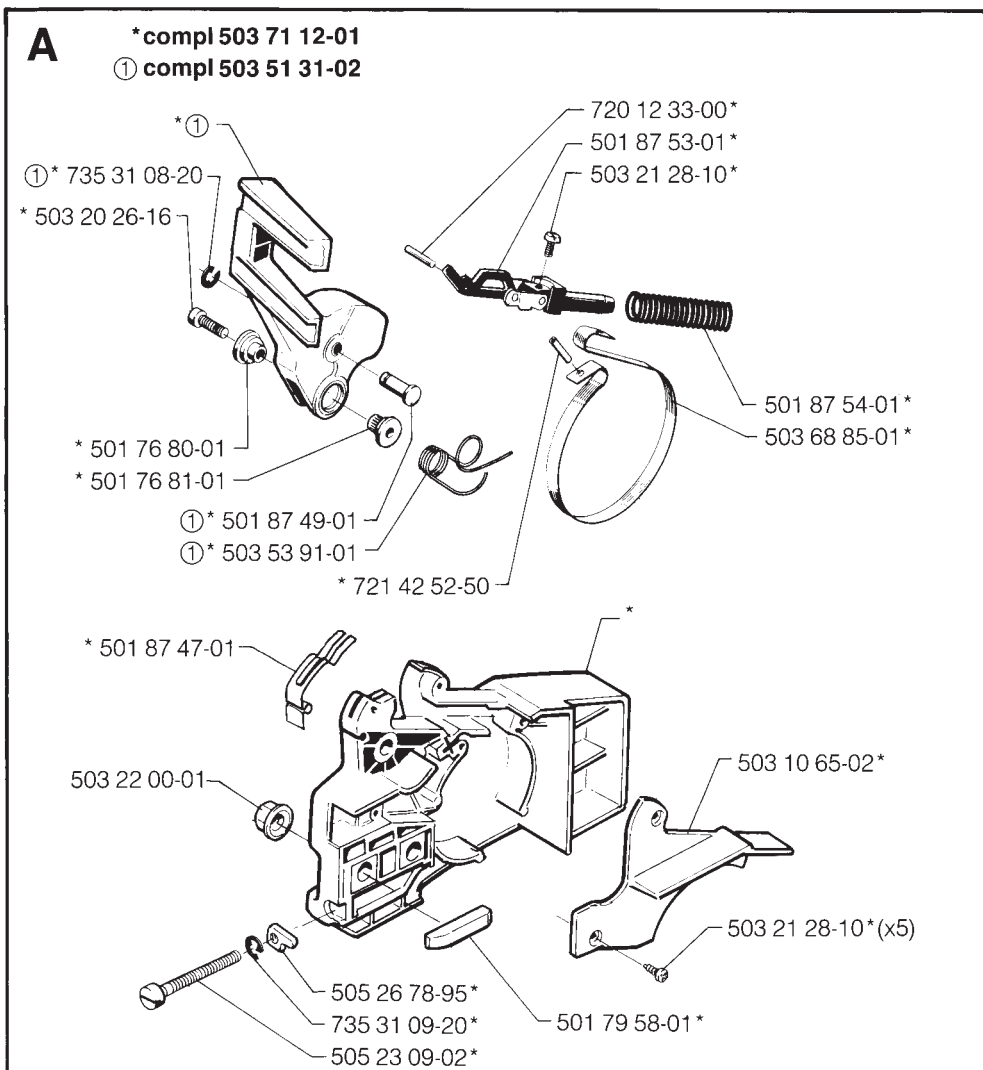
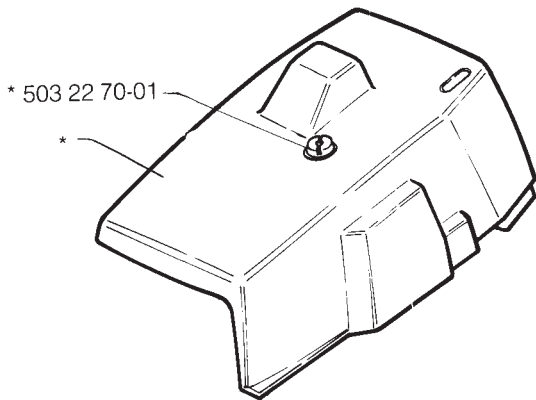
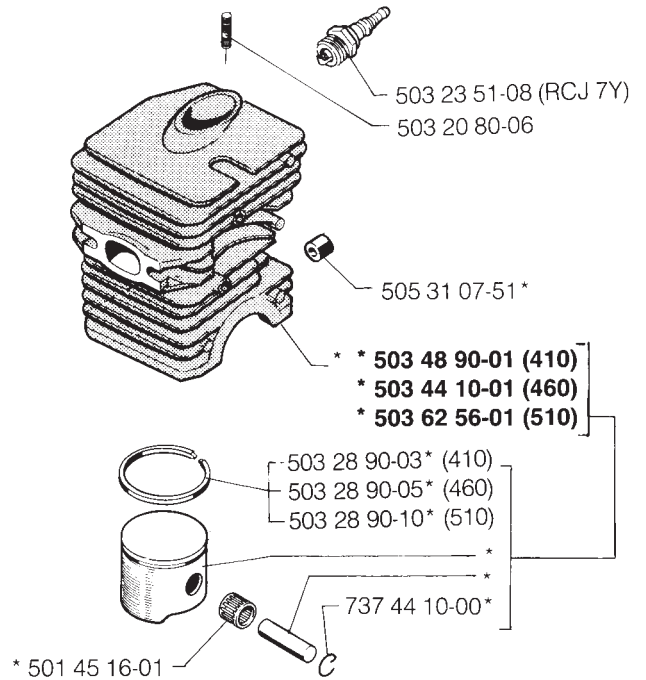
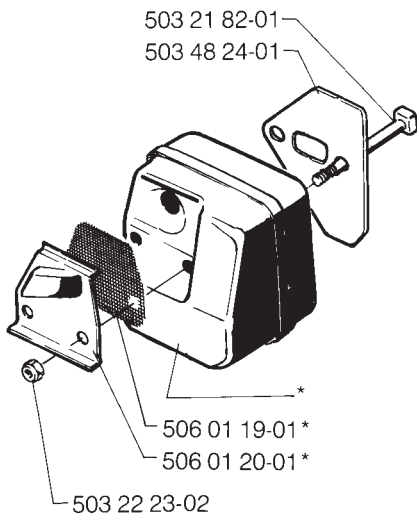
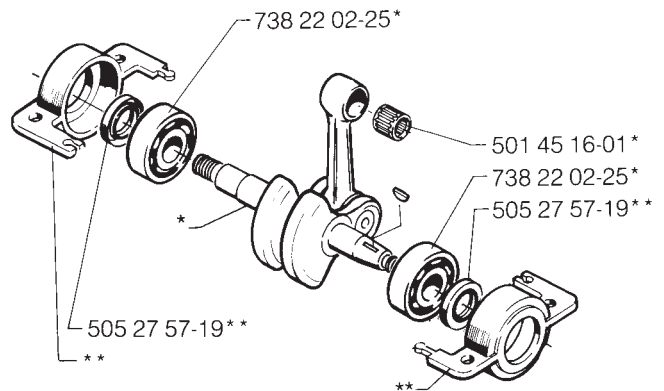
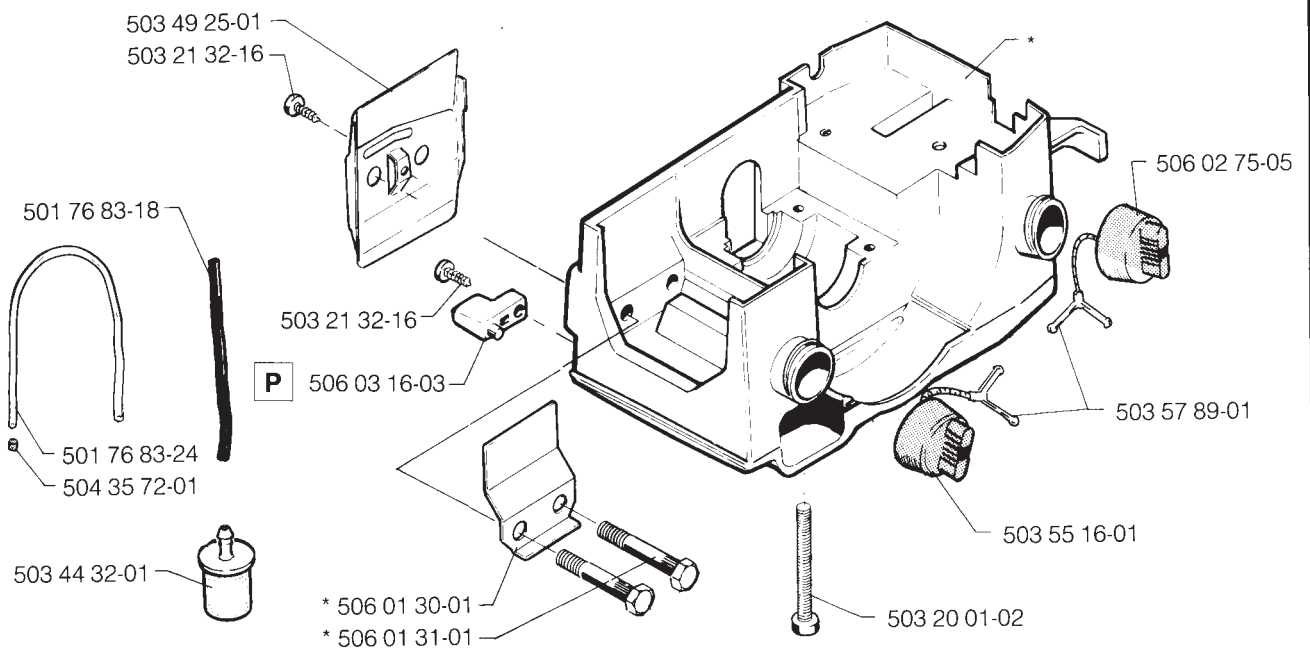




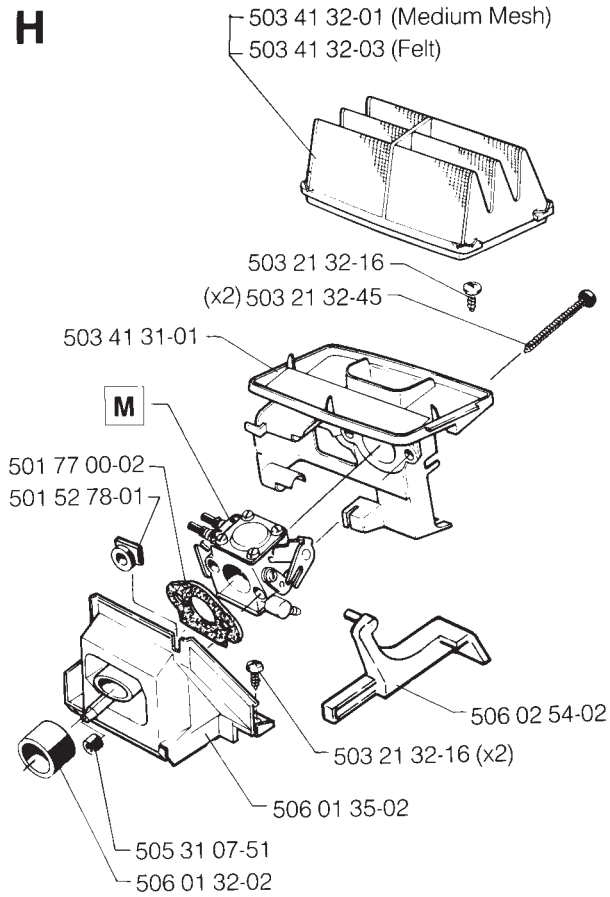
SPAREPARTS

107 26 25-62

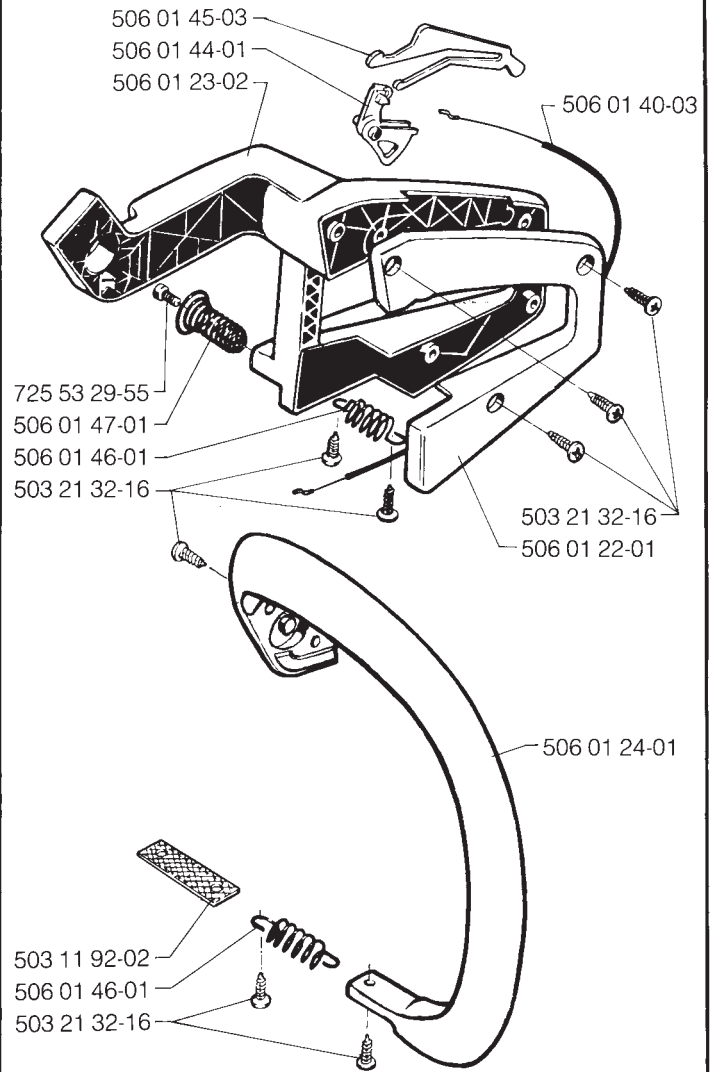


C***compl 506 01 11-04****D***** compl 506 01 06-07 (410 Ø 40 mm)***** compl 503 44 08-02 (460 Ø 42 mm)***** compl 503 62 55-02 (510 Ø 44 mm)****E*****compl 503 59 51-01****F*****compl 503 57 38-04******compl 506 05 65-02****G*****compl 503 59 25-01**

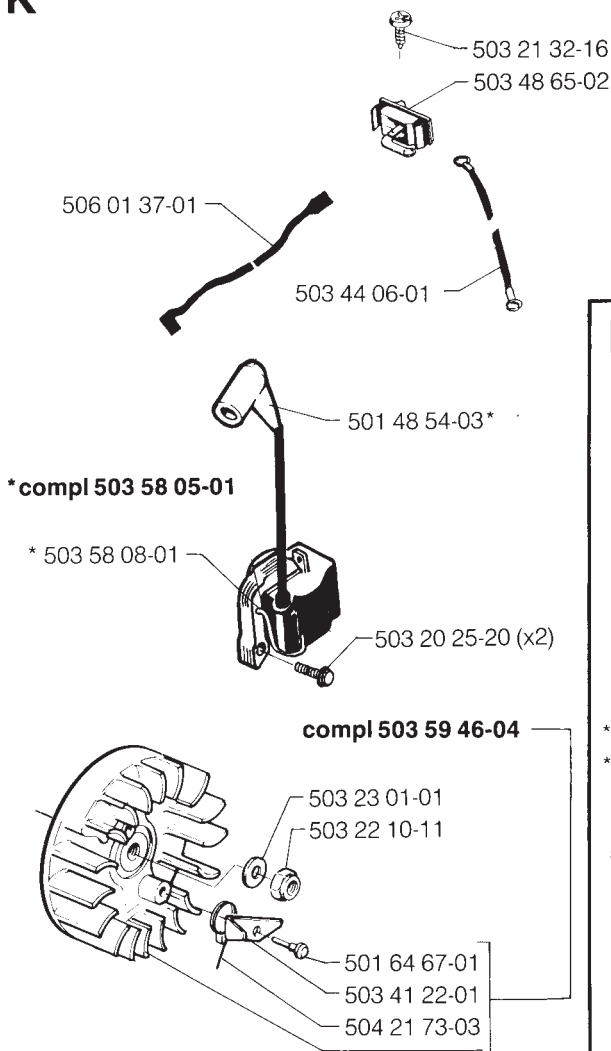
H



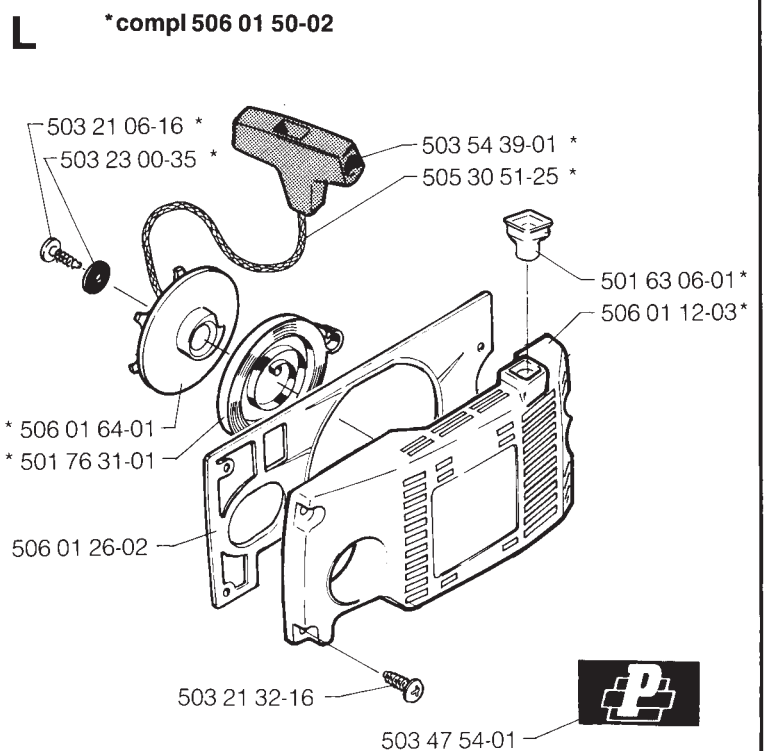
J



K

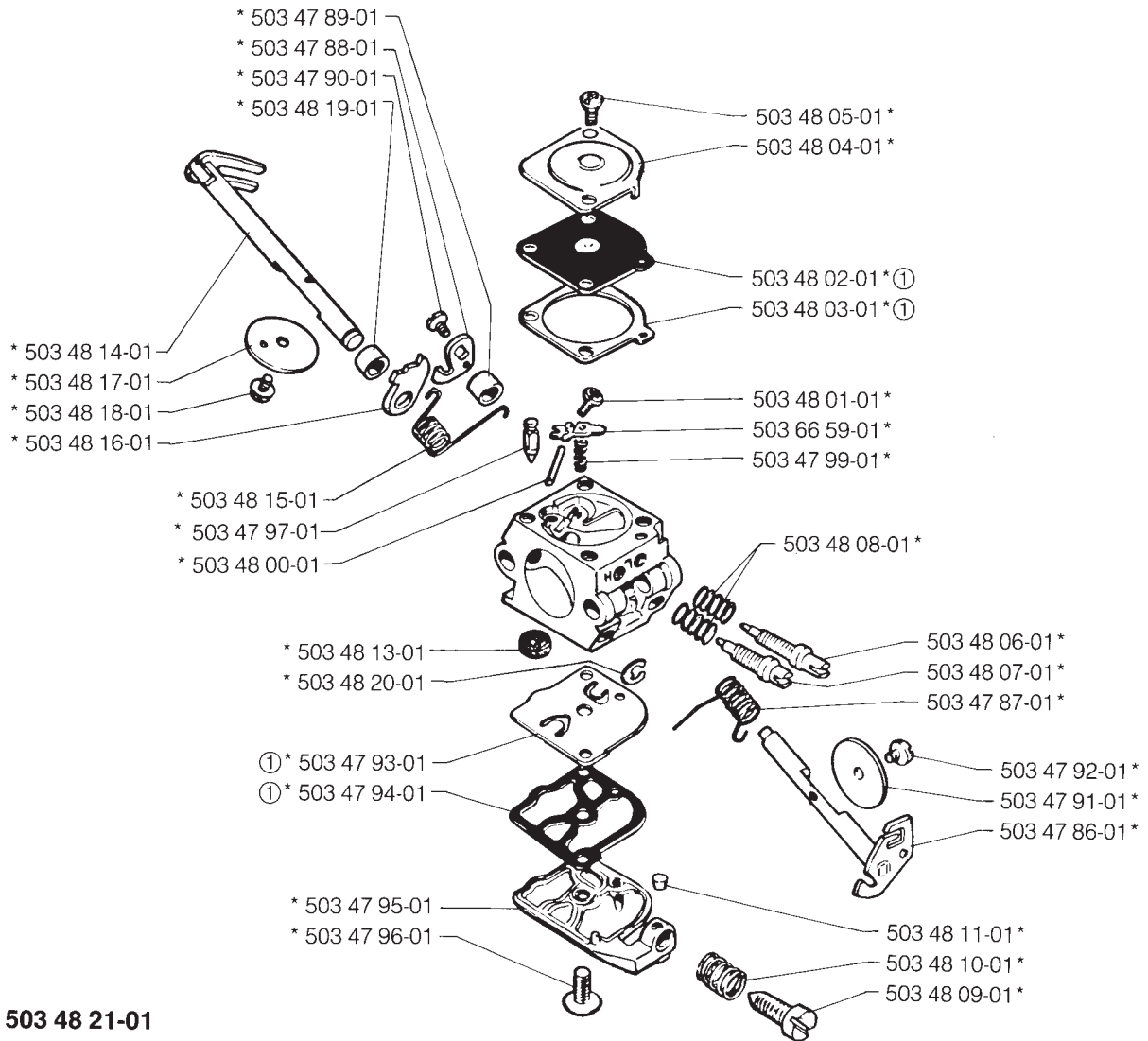


L



M

* compl 503 28 31-01

ZAMA C1Q-EL1

① 503 48 21-01

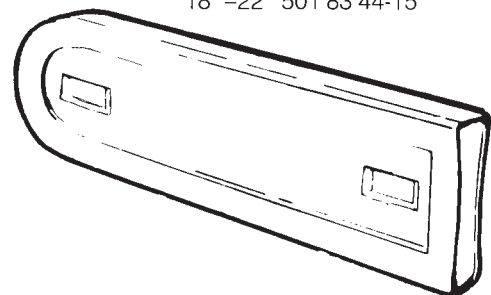
Packningssats
Set of gaskets
Dichtungssatz
Jeu de joints
Juego de Juntas

N

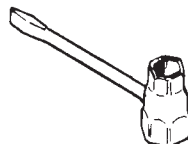
Tillbehör
Accessories
Zubehöre
Accessoires
Accesorios

13"-16" 501 83 44-14

18"-22" 501 83 44-15



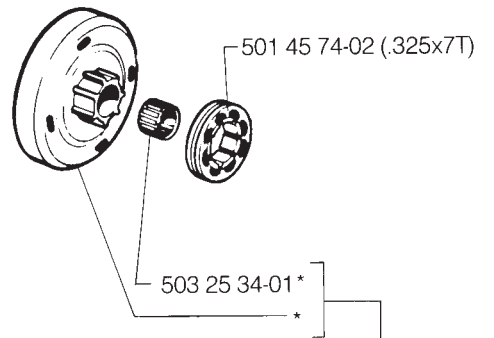
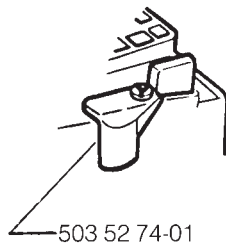
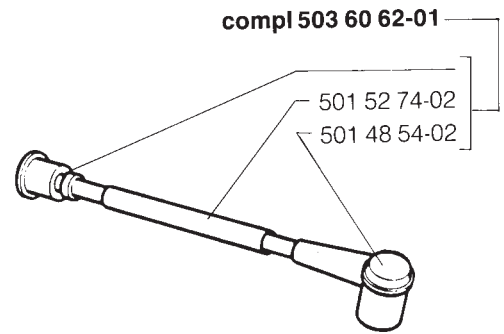
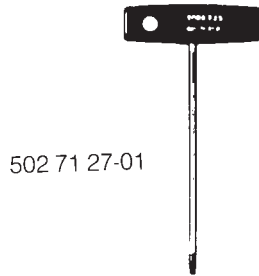
506 01 49-01



501 69 17-01

P

**Leveras endast som reservdel
Delivery as spare part only
Nur als Ersatzteil lieferbar
Livrabable seulement comme pièce de rechange
Solo como repuesto**



503 21 22-01 (l = 16 mm)
503 21 22-02 (l = 20 mm)

Överdimensionsskruv
Oversize screw
Überdimensions Schraube
Vis à surprofil
Tornillo sobredimensionado

MODELL NUMBER 410/460/510

PARTNUMBER	SQUARE	NOTE	PARTNUMBER	SQUARE	NOTE	PARTNUMBER	SQUARE	NOTE	PARTNUMBER	SQUARE	NOTE
501 45 16-01	D,F		503 44 32-01	G		504 21 73-03	K				
501 45 74-02	P	N	503 47 54-01	L		504 35 72-01	G				
501 48 54-02	P		503 47 86-01	M		505 23 09-02	A				
501 48 54-03	K		503 47 87-01	M		505 26 78-95	A				
501 52 78-01	H		503 47 88-01	M		505 27 57-19	F				
501 63 06-01	L		503 47 89-01	M		505 30 51-25	L				
501 64 67-01	K		503 47 90-01	M		505 31 07-51	D,H				
501 69 17-01	N		503 47 91-01	M		506 01 06-07	D				
501 76 31-01	L		503 47 92-01	M		506 01 11-04	C	N			
501 76 80-01	A	N	503 47 93-01	M		506 01 12-03	L				
501 76 81-01	A	N	503 47 94-01	M		506 01 19-01	E				
501 76 83-18	G		503 47 95-01	M		506 01 20-01	E				
501 76 83-24	G		503 47 96-01	M		506 01 22-01	J				
501 77 00-02	H		503 47 97-01	M		506 01 23-02	J				
501 79 58-01	A		503 47 99-01	M		506 01 24-01	J				
501 83 44-14	N		503 48 00-01	M		506 01 26-02	L				
501 83 44-15	N		503 48 01-01	M		506 01 30-01	G				
501 87 47-01	A	N	503 48 02-01	M		506 01 31-01	G				
501 87 49-01	A	N	503 48 03-01	M		506 01 32-02	H				
501 87 53-01	A	N	503 48 04-01	M		506 01 35-02	H				
501 87 54-01	A	N	503 48 05-01	M		506 01 37-01	K				
502 71 27-01	P		503 48 06-01	M		506 01 40-03	J				
503 10 16-01	B		503 48 07-01	M		506 01 44-01	J				
503 10 49-02	B		503 48 08-01	M		506 01 45-03	J				
503 10 65-02	A	N	503 48 09-01	M		506 01 46-01	J				
503 11 92-02	J		503 48 10-01	M		506 01 47-01	J				
503 15 98-01	P	N	503 48 11-01	M		506 01 49-01	N				
503 15 98-02	B	N	503 48 13-01	M		506 01 50-02	L				
503 17 31-02	B	N	503 48 14-01	M		506 01 64-01	L				
503 20 01-02	G		503 48 15-01	M		506 02 39-01	B				
503 20 25-20	K		503 48 16-01	M		506 02 39-02	P	N			
503 20 26-16	A	N	503 48 17-01	M		506 02 42-01	B				
503 20 80-06	D		503 48 18-01	M		506 02 54-02	H				
503 21 06-16	L		503 48 19-01	M		506 02 75-05	G				
503 21 22-01	P		503 48 20-01	M		506 02 77-01	B				
503 21 22-02	P	N	503 48 21-01	M		506 03 16-03	G				
503 21 28-10	A	N	503 48 24-01	E	N	506 05 65-02	F	N			
503 21 32-16	BGHJKL		503 48 65-02	K		720 12 33-00	A	N			
503 21 32-45	H		503 48 90-01	D		721 42 52-50	A	N			
503 21 82-01	E		503 49 25-01	G		725 53 29-55	J				
503 22 00-01	A		503 51 31-02	A	N	735 31 08-20	A	N			
503 22 10-11	K		503 52 74-01	P		735 31 09-20	A				
503 22 23-02	E	N	503 53 91-01	A	N	737 44 10-00	D				
503 22 70-01	C		503 54 39-01	L	N	738 22 02-25	F				
503 23 00-35	L		503 55 16-01	G							
503 23 01-01	K		503 57 38-04	F	N						
503 23 01-05	B		503 57 89-01	G							
503 23 51-08	D		503 58 05-01	K							
503 25 34-01	B,P		503 58 08-01	K							
503 28 31-01	M		503 59 25-01	G	N						
503 28 90-03	D		503 59 46-04	K							
503 28 90-05	D		503 59 51-01	E							
503 28 90-10	D	N	503 60 62-01	P							
503 41 22-01	K		503 62 55-02	D	N						
503 41 31-01	H		503 62 56-01	D	N						
503 41 32-01	H		503 66 59-01	M	N						
503 41 32-03	H		503 68 85-01	A	N						
503 44 06-01	K		503 71 12-01	A	N						
503 44 08-02	D		504 18 44-01	B	N						
503 44 10-01	D		504 21 00-16	B	N						

N=NY DETALJ
 NEW PART
 NEUES ERSATZTEIL
 NOUVELLE PIECE
 NUEVA PIEZA